

328
328A

Friction door holders

Fix 328 and 328A

Used for storage room doors and lighter internal doors. Fix 328, for outward-opening doors. Fix 328A, for inward-opening doors.

Operation and features

Holds the door with friction in desired open position. The friction force can be adjusted using the adjustment nut. The restrictor arm can be loosened from the frame fixture on Fix 328, and from the door fixture on Fix 328A, respectively. Fits both right and left.

Construction

- a) Restrictor arms
- b) Frame fixture
- c) Door fixture
- d) Friction plates
- e) Spring plate
- f) Adjustment nut

Material

Friction plate of acetal plastic.
Other parts of galvanized steel

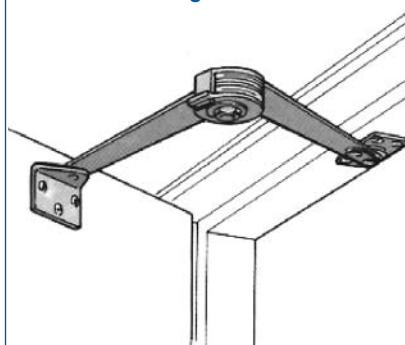
Installation

For 90 degree opening angle, mount according to the adjacent instruction. Frame and door fixtures must align with each other when the door is closed.

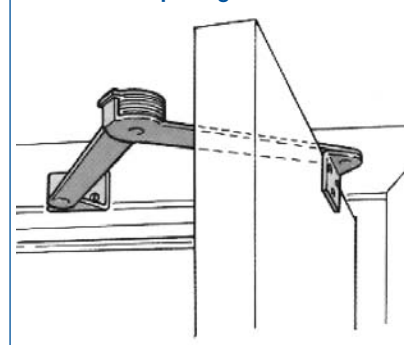
Screw

Use
no. 9 (4.5 mm) TKX/DIN 7996.

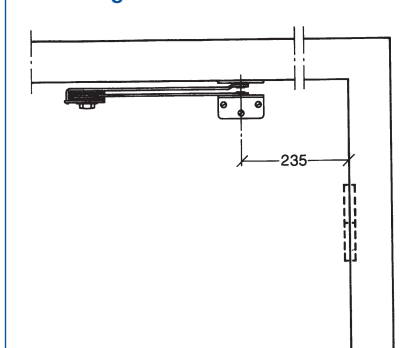
Fix 328 on closing side



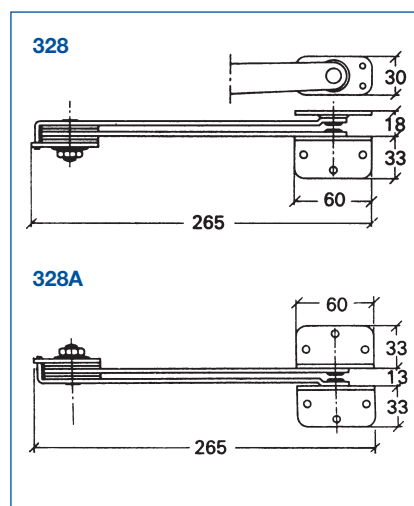
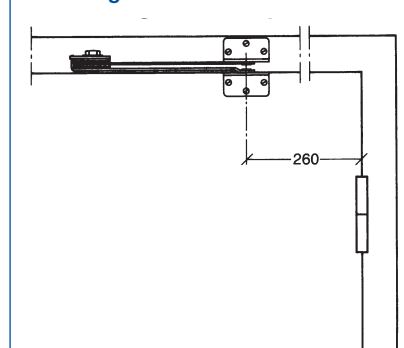
Fix 328A on opening side



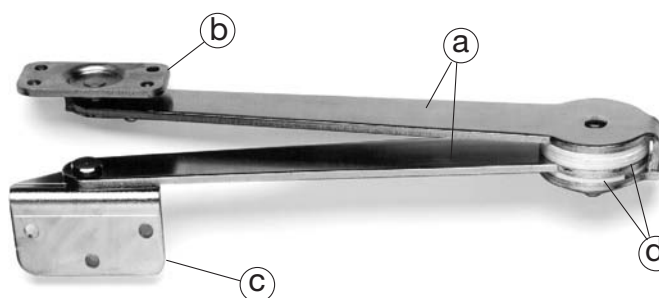
Mounting instructions Fix 328



Mounting instructions Fix 328A



328



328A

